

A Self-Organized Neuro-Fuzzy System for Stock Market Dynamics

Modeling and Forecasting

Ching Long Su Associate Professor
Department of Information Management
Chang Jung Christian University
Taiwan, R.O.C.

Chuen Jyh Chen Assistant Professor
Department of Aviation Service Management
Aletheia University
Taiwan, R.O.C.

Shih Ming Yang Professor
Department of Aeronautics and Astronautics
National Cheng Kung University
Taiwan, R.O.C.

Abstract: -A self-organized, five-layer neuro-fuzzy model is developed to model the dynamics of stock market by using technical indicators. The model effectiveness in prediction and *forecasting* is validated by a set of data containing four indicators: the stochastic oscillator (%K and %D), volume adjusted moving average (VAMA) and ease of movement (EMV) from TAIEX (Taiwan Stock Exchange Capitalization Weighted Stock Index). A modified moving average method is proposed to predict the input set for the neuro-fuzzy model in *forecasting* stock price. Simulation results show that the model is effective in prediction and accurate in *forecasting*. The input error from the prediction of the modified moving average method is attenuated significantly by the neuro-fuzzy model to yield better *forecasting* results.

Key-Words: -Neuro-fuzzy system, Sugeno fuzzy system, Forecasting, VAMA, EMV.

1 Introduction

State forecasting of a dynamical system requires the current and previous condition to forecast the system's future states. Forecasting entails gathering historical data, analyzing patterns, and acquiring results that facilitate the prediction of future events. It is believed that past information can be modeled into a system that explains the current behavior and predict the future state. Classical approaches are mainly based on stochastic models by using the time

series techniques such as autoregressive moving average and multiple regression models; however, the accuracy of state forecasting may be vulnerable to qualitative factors from macro-economical and political effects.

Many have focused on applying recurrent or feedforward neural network (NN) to state forecasting. NN is effective in realizing the input-output mapping, thus useful as a state estimator/forecaster, but its performance is

constrained by large amount of training required and by the “black box” nature opaque to the dataset. Freitas *et al.* (2009) presented a neural network to predict stock market returns. Liu *et al.* (2007) also applied a network-based reinforcement learning in predicting stock price. Some also proposed to use genetic algorithms to obtain optimal solution (Kim and Shin, 2006; Kim and Shin, 2007; Chavarnakul and Enke, 2009), but the required computational complexity in iterative neural network structures is very demanding. In addition, forecast of future stock price by using NN requires future state input, which is not know *a priori* and has to be generated. Recent developments proposed to integrate NN for the learning capabilities and fuzzy logic for the abstract thinking /reasoning. Yang *et al.* (2007) and Chen *et al.* (2009) have successfully applied neuro-fuzzy model in system identification and state forecasting of engineering systems. Lin *et al.* (2008) proposed to use neuro-fuzzy model as an early warning indicator for currency crisis, and Keles *et al.* (2008) also applied a neuro-fuzzy model to forecast domestic debt. Compared with NN, fuzzy logic offers better insight, but its performance depends on the fuzzification of the time series data. It is promising for simulating experts’ knowledge, but the application is strongly influenced by the fuzzy rules. Forecasting price movements in stock market is a major challenge confronting investors. Based on the rough set-based pseudo outer-product, Ang and Quek (2006) applied a neuro-fuzzy model in stock trading. Similar rough set model dealing with vagueness and uncertainty of a data set was proposed in forecasting by defining decision rules (Yao and Herbert, 2009). Other studies employed the support vector machine based on a risk function of empirical error to predict stock price index (Huang *et al.*, 2005) and presented a combination of

hidden Markov model and fuzzy model for forecasting stock market (Hassan, 2009). A recent survey concluded that neuro-fuzzy models are suitable for stock market forecasting, but difficulties arise in defining the structure model (Astalakis and Valavanis, 2009 a and b). A self-organized neuro-fuzzy model is developed in this work for effective and efficient modeling, prediction, and forecasting. Section II describes the self-organized, 5-layer neuro-fuzzy model in simulating the stock market dynamics. Section III discusses the 4 technical indicators in establishing the neuro-fuzzy model and the modified moving average method in generating the network input for forecasting. The model’s performance and the forecasting effectiveness are demonstrated in Section IV, and the conclusions are summarized in the last section.

2 Neuro-Fuzzy Model

Artificial neural networks originally inspired by biological neural networks can learn complex functional relations by generalizing from a limited training data. Neural networks can thus serve as a black-box for nonlinear dynamic systems by using input/output training data. Two of most commonly used fuzzy inference systems are Mamdani fuzzy model and Sugeno fuzzy model (Chen *et al.*, 2009). The former describes a system by using the natural language that makes it more intuitive and easy to realize, while the latter specifies a system by mathematical relation that makes it suitable to optimization. Technical analysis in financial market aims at identifying price patterns and attempts to exploit those trends by using the indicators of some mathematical transformations in terms of price or volume. These indicators can be applied as the input to a neural network for simulating the stock market

dynamics. The five-layer, feed-forward neuro-fuzzy model with Sugeno fuzzy rules is shown in Fig. 1. Layer 1 defines the input nodes such as the technical indicators, and layer 5 the output node such as the closing price of a stock. Layer 2 is the term nodes of membership function to express the linguistic terms such as more important, neutral, and less important. Layer 3 defines the nodes representing the fuzzy rules. A series-parallel identification model for nonlinear stock market systems can be written as

$$\hat{\mathbf{y}}(k+1) = \mathbf{f}(\mathbf{y}(k), \mathbf{y}(k-1), \dots, \mathbf{y}(k-n+1); \mathbf{x}(k), \mathbf{x}(k-1), \dots, \mathbf{x}(k-m+1)) \quad (1)$$

where $\hat{\mathbf{y}}(k+1)$ is the estimated output vector of the neuro-fuzzy model at time step $k+1$, $[\mathbf{x}^T(k), \mathbf{y}^T(k)]$ represents the input-output vector pair of the market at time step k , and n and m are the maximum lags (historical data points) in the input and output, respectively. Equation (1) indicates that $\hat{\mathbf{y}}(k+1)$ is a function of the past n values of the model output (stock's closing price) $\mathbf{y}(k-i)$, $i = 0, 1, \dots, n-1$, and the past m values of the input (technical indicators) $\mathbf{x}(k-j)$, $j = 0, 1, \dots, m-1$. By determining the fuzzy logic rules and optimizing the membership functions through the connective weights (w_{i2} and w_{i4}), a neuro-fuzzy model is established.

Each node in the first layer is an input node in proportion to one input variable, and there is no computation in this layer, $O_{i1} = x_i$, where O_{i1} is the output value of the i^{th} node in layer 1, and x_i is

the i^{th} input variable. Fuzzification is done in the second layer with each node corresponding to one linguistic term of the input variables via Gaussian function

$$O_{i2} = \exp\left(-\left(\frac{O_{i1} - m_{i2}}{\sigma_{i2}}\right)^2\right)$$

to calculate the membership value of the fuzzy sets, where m_{i2} and σ_{i2} are the center (mean) and width (variance)

of the Gaussian membership function of the i^{th} node in layer 2, respectively. Each node in layer 3 represents its fuzzy rule and has the form,

$$R_i: \text{If } x_1 \text{ is } A_{i1} \text{ and } x_2 \text{ is } A_{i2} \dots \text{and } x_p \text{ is } A_{ip},$$

$$\text{then } y_i = c_{i0} + c_{i1}x_1 + \dots + c_{ip}x_p \quad (2)$$

where R_i signifies the i^{th} fuzzy rule, $\mathbf{x}^T = [x_1, x_2, \dots, x_p]$ is the input to the system, y_i is the output consequent of the fuzzy rule R_i . A_{i1}, A_{i2}, \dots , and A_{ip} are the variance parameters of the membership functions, and the weight of each firing rule c_{i0}, c_{i1}, \dots , and c_{ip} are real parameters. The weights w_{i2} in layer 2 express the association of the rule with the i^{th} linguistic output variable so that the output of layer 3 is calculated by taking the average of the individual rule's contribution

$$O_{i3} = w_{i2} / \sum_i w_{i2} \quad (3)$$

Each node in layer 4 is a square mode with $O_{i4} = O_{i3} \cdot y_i$, and the output is by using the weighted average,

$$O_{i5} = \sum_i w_{i4} \cdot y_i / \sum_i w_{i4} \quad (4)$$

and there is no membership function tuning in this layer.

The neuro-fuzzy model is a self-organized, two-phase learning process with phase one to locate the initial membership function and phase two to find the fuzzy rules. In phase 1, the center and the width of the initial membership function are determined by the feature-map algorithm

$$\|x(k) - m_c(k)\| = \min\{\|x(k) - m_i(k)\|\} \quad (5)$$

where $m_c(k+1) = m_c(k) + \alpha(x(k) - m_c(k))$

and $m_i(k+1) = m_i(k)$ for $m_i \neq m_c$. where

$x(k)$ and $m_i(k)$ are the input and the center of membership function, respectively. The subscript c indicates the associative closest value. This adaptive formula runs independently for each input and linguistic output variables. Once $m_i(k)$ is

calculated, the width $\sigma_i(k)$ can be determined by the first-nearest-neighbor heuristic, $\sigma_i = (m_i - m_c) / r$,

where r is the overlap parameter. After the membership functions have been calculated, the backpropagation learning algorithm is to find the fuzzy rules in phase 2. The output of layer 2 is transmitted to layer 3 to find the firing strength of each rule node. Based on the firing strength and the node output in layer 4, the correct consequence-link

for each node can be determined by using error backpropagation to minimize the error function $E = (d(k) - y(k))^2 / 2$, where $d(k)$ is the desired output and $y(k)$ is the current output. The weight is tuned via the update rule,

$$w_{ij}(k+1) = w_{ij}(k) + \Delta w_{ij}(k) \quad (6)$$

$$\Delta w_{ij}(k) = \eta (d(k) - y(k)) O_{j3} w_{ij} \sigma_{i4} \frac{m_{i4} (\sum \sigma_{i4} O_{i4}) - (\sum m_{i4} \sigma_{i4} O_{i4})}{(\sum \sigma_{i4} O_{i4})^2} \text{ if } j = \hat{r} \quad (7)$$

where $\hat{r} = \text{Arg max}_j (O_{j3} (w_{ij})^2)$ and η is the learning rate. By adjusting the weight, the correct consequent link of each rule node is determined. For every antecedent clause, the centroid of all the possible consequent is calculated. Only the dominant rule whose consequent has the highest membership value is selected.

By using Eq.(4) and the gradient of center

m_{i4} , the center is updated via

$$m_{i4}(k+1) = m_{i4}(k) + \eta (d(k) - y(k)) \cdot \sigma_{i4} O_{i4} / \sum \sigma_{i4} O_{i4} \quad (8)$$

Similarly, the width parameter is

$$\sigma_{i4}(k+1) = \sigma_{i4}(k) + \eta (d(k) - y(k)) \cdot O_{i4} \frac{m_{i4} (\sum \sigma_{i4} O_{i4}) - (\sum m_{i4} \sigma_{i4} O_{i4})}{(\sum \sigma_{i4} O_{i4})^2} \quad (9)$$

The error signal in layer 4 is derived as

$$\delta_{i4}(k) = (d(k) - y(k)) \cdot \sigma_{i4} \frac{m_{i4} (\sum \sigma_{i4} O_{i4}) - (\sum m_{i4} \sigma_{i4} O_{i4})}{(\sum \sigma_{i4} O_{i4})^2} \quad (10)$$

By the same token, only the error signal δ_{i3} is needed and it is identical to δ_{i4} . In layer 2, the center and width parameter are updated by

$$m_{i2}(k+1) = m_{i2}(k) - 2O_{i2}\eta \frac{(O_{i1} - m_{i2})}{(\sigma_{i2})^2} \sum_k q_k \quad (11)$$

$$\sigma_{i2}(k+1) = \sigma_{i2}(k) - 2O_{i2}\eta \frac{(O_{i1} - m_{i2})^2}{(\sigma_{i2})^3} \sum_k q_k \quad (12)$$

where $q_k = 1$ when $O_{i2} = \min(\text{input of the } k\text{th rule node})$ and $q_k = 0$ for the others.

The weight vector of the firing rule is updated by

$$c_i(k+1) = c_i(k) + g_i \alpha_i (y_i(k) - y_d(k)) [1, \mathbf{x}^T(k)]^T \quad (13)$$

where g_i is the decreasing rate, $0 \leq g_i < 1$, and α_i is the firing strength of the i_{th} rule, $\alpha_i = \min\{A_{i1}(x_1), A_{i2}(x_2), \dots, A_{ip}(x_p)\}$. After

adjusting the weight vector c_i , the correct consequent link of each rule node can be determined. For every antecedent clause, the centroid of all the possible consequent is computed.

If win_j is the relative width of the winner fuzzy rule

$$win_j = \frac{\min\{sr_{mj}, sr_{nj}\} - \max\{sl_{mj}, sl_{nj}\}}{|c_{mj} - c_{nj}|} \quad (14)$$

where c_{mj} and c_{nj} are the center of the winner rule and the first runner-up respectively. Similarly, sr_{mj} and sl_{mj} are the right and left spreads of the winner fuzzy rule, sr_{nj} and sl_{nj} are those of the runner-up rules. The spread s_{rv} is updated by

$$s_{rv}(k+1) = s_{rv}(k) + \eta(k)(c_{rv}(k) - s_{rv}(k)), \quad \text{when } \text{sgn}(y - y_i) = \text{sgn}(y_r - y_l) \quad (15a)$$

$$s_{rv}(k+1) = s_{rv}(k) - \eta(k)(c_{rv}(k) - s_{rv}(k)), \quad \text{otherwise} \quad (15b)$$

where c_{rv} is the center of winner rule, $\eta(k)$ is the

learning rate, y_r and y_l are the output computed independently for each rule. The antecedent parameter with smallest relative width is tuned by

$win_i = \min_j \{win_j\}$, and the centers of the fuzzy sets are updated when only a normal fuzzy rule fires.

The center c_{rv} is moved towards the input $x(k)$ according to

$$c_{rv}(k+1) = c_{rv}(k) + \alpha_i \eta(k)(x(k) - c_{rv}(k)) \quad (16)$$

The above learning algorithm highlights the computation procedures in the design of neuro-fuzzy model. After training and validation by another set of input and output, the neuro-fuzzy model can be applied to forecasting.

3 Technical Indicators

Stock market movements can be modeled by fundamental analysis and technical analysis. The former studies the economy, industry, and financial environments and uses revenues, earnings, growth potential, return of equity, and profit margin to measure the intrinsic value of a stock; while the latter studies the historical price and volume to measure a stock. For many years technical analysis has played an important role in stock market for it offers combined social, economical, and political effects. Models and trading rules based on price and

volume data, such as the relative strength index, moving averages, regression, inter-market and intra-market price correlation, have been applied to simulate the dynamical patterns. A recent work confirmed that 56 of the 95 studies of technical analysis had positive results, although data-snooping bias and other problems made the analysis difficult (Park and Irwin, 2007.)

The key to successful forecasting is to achieve best prediction with minimum input. The stochastic oscillator is one of the most recognized momentum indicators in technical analysis. The oscillator compares a stock's closing price to its price range over a given time period. The idea is that in an uptrend, the price should be closing near the highs of the trading range, signaling upward momentum. In downtrends, conversely, the price should be closing near the lows of the trading range, signaling downward momentum. The stochastic oscillator is within 0-100 and it generally signals overbought conditions above 80 and oversold conditions below 20. The stochastic oscillator contains two lines: the %K is the raw measure to formulate the idea of momentum behind the oscillator and the %D is a moving average of %K.

The main approach in financial forecasting is to identify trends at an early stage for an investment. Trading volume is a standard market measurement and is critical to interpret price movement. It has been known that past trading volume may provide valuable information in predicting future stock price. Based on this concept, equivolume charting by replacing the time frame of reference with the volume frame of reference has been proposed studying stock market dynamics. The volume adjusted moving average (VAMA) is a technical indicator based on equivolume charting by using

trading volume measure over time-duration measure (Chavarnakul and Enke, 2008). A duration with heavier trading volume has more weight on the moving averages, and the contribution of each closing price is based on their volume relative to others. Similarly, the ease of movement (EMV) is a technical indicator that converts the information of the equivolume chart into a numerical equivalent. The indicator demonstrates the relationship between the price change of a stock and its volume so as to predict the trend. A high and positive (negative) value of EMV shows that the stock price moves upward (down) on light volume, while a low value around zero identifies the price is stagnant, or that it takes heavy volume to move. The calculation of EMV is based on the price range and volume within a period and the price change from the prior entry by Fibonacci numbers.

The data from the four technical indicators, %K, %D, VAMA, and EMV, are adopted as the input set to the self-organized, 5-layer neuro-fuzzy model, $\mathbf{x}^T(k) = [\%K(k), \%D(k), VAMA(k), EMV(k)]$. In forecast, however, one will have to generate $\mathbf{x}(k+1)$ as the input to calculate $y(k+1)$ by the neuro-fuzzy model. A modified moving average method is applied to predict the input data set for forecasting,

$$\mathbf{x}(k+1) = a_1\mathbf{x}(k) + a_2\mathbf{x}(k-1) + \dots + a_n\mathbf{x}(k-n+1) \quad (17)$$

where $a_1, a_2, \dots,$ and a_n are the moving average coefficients. The five-layer neuro-fuzzy model with Sugeno fuzzy rule is applied to validate and forecast the stock market in the next section.

4 Application to Forecasting

A data set from TAIEX (Taiwan Stock Exchange Capitalization Weighted Stock Index) is selected to predict future stock trend by analyzing the history of stock prices. The self-organized, 5-layer neuro-fuzzy model as shown in Fig. 1 has 4 inputs and one output. Four technical indicators: %K, %D, volume adjusted moving average (VAMA), and ease of movement (EMV) from 1997/4 to 2009/6 are selected as the input to establish a neuro-fuzzy model. The 140 data points from 1997/4-2008/11 (monthly data) are taken as the training data set, while those from 2008/12-2009/ (7 data points) are applied to validate the neuro-fuzzy model. Each input's with Gaussian membership function is partitioned into three spaces: negative large, zero, positive large, {NL, ZE, PL}, so that the neuro-fuzzy model in Fig. 1 is of [4-12-81-81-1] structure: 4 input neurons, 12 input term neurons, 81 rule neurons, 81 output term neurons and 1 neuron in the output layer.

The data from seven stocks: A, B, C, D, E, F, and G (TAIEX stock number: 1101, 1216, 1303, 1504, 1907, 2501, and 2801) are employed in training the neuro-fuzzy model and the training time is set at 300 epochs. The decreasing rate in Eq. (13) is set at $g_i = 0.9$ and the initial learning rate in Eq. (16) is $\eta = 0.01$. Figure 2 shows the effectiveness of the neuro-fuzzy model in simulating the stock dynamics. The model output of the seven stocks match very well with the market dynamics. Validation of the neuro-fuzzy model shows that the model is so accurate that the discrepancy also plotted in the same figure is within 1.5% and the RMS errors are 1.35% for A, 0.32% for B, 0.43% for C, 0.06% for D, 0.40% for E, 0.51% for F, and 0.02% for G.. The [4-12-81-81-1] neuro-fuzzy

model is shown effective in modeling and prediction.

To validate the effectiveness of the neuro-fuzzy model in forecasting, the 147 data points (1997/4-2009/6) are employed as the training data, and the recent data point (2009/7) is assumed to be unknown. The input for forecasting 2009/7's stock price is generated by the modified moving average

method with $a_1 = 1/3$, $a_2 = 1/2$, and $a_3 = 1/6$ as shown in Eq. (17). By the same initial conditions, Fig. 3 shows the forecast of the neuro-fuzzy model, and the discrepancy is within 7.5%. Of the 7, 4 are within 4%. The forecast by using the neural network model (Chavarnakul and Enke, 2008) is also conducted and the results are plotted in the same figure. The performance of the 5-layer neuro-fuzzy model is shown superior to that of a neural fuzzy model.

Table 1 lists the forecast accuracy of the neuro-fuzzy model is much higher than the neural network model. In addition, the neuro-fuzzy model is capable of attenuating effectively the input error. The maximum errors of the input prediction by the modified moving average method are in 25.81%-38.04% range for the seven stocks, but they are attenuated significantly by the neuro-fuzzy model to within 1.78%-7.37%. Similarly for the average errors. The forecast has 92.5%-98.5% accuracy, and the simulation results show that the neuro-fuzzy system with Sugeno fuzzy rules has good performance in modeling, prediction and forecasting.

5 Conclusions

A neuro-fuzzy model's performance is strongly influenced by the selection of membership functions

in input/output and the fuzzy logic rules, which are determined by expert's knowledge or experiences. Such decision may be difficult on complex stock market system. The five-layer neuro-fuzzy model of this work can be constructed and self-organized solely from the input/output data to simulate stock market dynamics and forecast stock price. Neural network recognizes the patterns and adapt to cope with stock market movements, while fuzzy inference logic incorporates human knowledge and expertise for decision making. The model is a two-phase learning process with phase one for locating the initial membership function by the feature-map algorithm and phase two for finding the fuzzy rules by the gradient descent algorithm. By highlighting the advantages and overcoming the limitations of neural network and rule-based fuzzy logic, the integrated neuro-fuzzy model can facilitate reliable intelligent state forecasting to support decision-making process.

The neuro-fuzzy system is applied to model the dynamics of stock market, and the modified moving average method is applied to generate a set of input data to the model for forecasting. By using the [4-12-81-81-1] structures with four inputs: %K, %D, volume adjusted moving average (VAMA), and ease of movement (EMV) from 1997/4 to 2009/6, the neuro-fuzzy model is shown to effectively and efficiently simulate the stock market dynamics. The neuro-fuzzy model has good performance and it outperforms the neural network model both in modeling and forecasting. The errors of the input prediction by the modified moving average method in 25.81%-38.04% are attenuated by the neuro-fuzzy model to within 1.38%-7.37%. The forecast accuracy is 92.5%-98.5% for the seven stocks. Technical analysis looks for participant configurations in forecasting states, and the above

forecast accuracy is based on the neuro-fuzzy model with the input of 4 technical indicators. It should be noted that the self-organized, five-layer neuro-fuzzy model is applicable by using any other set of input. There are many technical analysis indicators and the most difficult part of technical analysis is to decide which indicator to use. Market indicators typically fall into three categories: monetary, sentiment, and momentum, and input data pre-processing and sampling may impact forecast accuracy. Selection of different input combination can eliminate redundant input and improve accuracy. Further study of representative input of other technical indicators is required. In addition, factors such as fiscal policy, economic environment, and political events may also be included in the linguistic input to model the effect of fundamental analysis.

References:

- [1] Ang, K. K., & Quek, C. (2006). Stock trading using RSPOP: A novel rough set-based neuro-fuzzy approach. *IEEE Transactions on Neural Networks*, 17, 5, 1301-1315.
- [2] Atsalakis, G. S., & Valavanis, K. P. (2009a). Forecasting stock market short-term trends using a neuro-fuzzy based methodology. *Expert Systems with Applications*, 36, 10696-10707.
- [3] Atsalakis, G. S., & Valavanis, K. P. (2009b). Surveying stock market forecasting techniques - Part II: Soft computing methods. *Expert Systems with Applications*, 36, 3, 5932-5941.
- [4] Chavarnakul, T., & Enke, D. (2008). Intelligent technical analysis based equivolume charting for stock trading using neural network. *Expert Systems with Applications*, 34, 1004-1017.

- [5] Chavarnakul, T., & Enke, D. (2009). A hybrid stock trading system for intelligent technical analysis-based equivolume charting. *Neurocomputing*, 72, 3517-3528.
- [6] Chen, C. J., Yang, S. M., & Wung, Z. C. (2009). System identification by neuro-fuzzy model with Sugeno and Mamdani fuzzy rules. *Journal of Aeronautics Astronautics and Aviation, Series A*, 41, 4, 263-270.
- [7] Freitas, F. D., De Souza, A. F., & De Almedia, A. R. (2009). Prediction-based portfolio optimization model using neural networks. *Neurocomputing*, 72, 2155-2170.
- [8] Hassan, Md. (2009). A combination of hidden Markov model and fuzzy model for stock market forecasting. *Neurocomputing*, 72, 3439-3446.
- [9] Huang, W., Nakamori, Y., & Wang, S.-Y. (2005). Forecasting stock market movement direction with support vector machine. *Computers & Operations Research*, 32, 2513-2522.
- [10] Keles, A., Kolcak, M., & Keles, A. (2008). The adaptive neuro-fuzzy model for forecasting the domestic debt. *Knowledge-Based Systems*, 21, 951-957.
- [11] Kim, H.-J., & Shine, K.-S. (2007). A hybrid approach based on neural networks and genetic algorithms for detecting temporal patterns in stock markets. ScienceDirect, *Applied Soft Computing*, 7, 569-576.
- [12] Lin, C. S., Khan H. A., Chang, R. Y., & Wang, Y. C. (2008). A new approach to modeling early warning systems for currency crises: Can a machine-learning fuzzy expert system predict the currency crises effectively? *Journal of International Money and Finance*, 27, 7, 1098-1121.
- [13] Liu, F., Ng, G. S., & Quek, C. (2007). RLDDE: A novel reinforcement learning-based dimension and delay estimator for neural networks in time series prediction. ScienceDirect, *Neurocomputing*, 70, 1331-1341.
- [14] Park, C. H. Irwin, S. H. (2007). What do we know about the profitability of technical analysis? *Journal of Economic Surveys*, 21, 4, 786-826.
- [15] Yang, S. M., Chen, C. J., Chang, Y. Y. & Tung, Y. Z., (2007). Development of a self-organized neuro-fuzzy model for system identification. *Journal of Vibration and Acoustics*, ASME, 129, 507-513.
- [16] Yao, J. T., & Herbert, J. P. (2009). Financial time-series analysis with rough sets. *Applied Soft Computing*, 9, 1000-1007.

Table 1 The input/output errors of the forecast by the neural network model (Chavarnakul and Enke, 2008) and the neuro-fuzzy model.

Input/ Output Stock Number	Maximum input error	Average input error	Neural network output error	Neuro-Fuzzy model output error
A	26.31%	14.36%	7.86%	5.39%
B	27.92%	13.49%	10.67%	1.38%
C	35.98%	17.48%	12.73%	3.63%
D	26.38%	11.34%	18.44%	1.78%
E	25.81%	10.35%	22.49%	7.37%
F	38.04%	17.11%	6.79%	2.64%
G	34.73%	17.73%	12.03%	3.84%

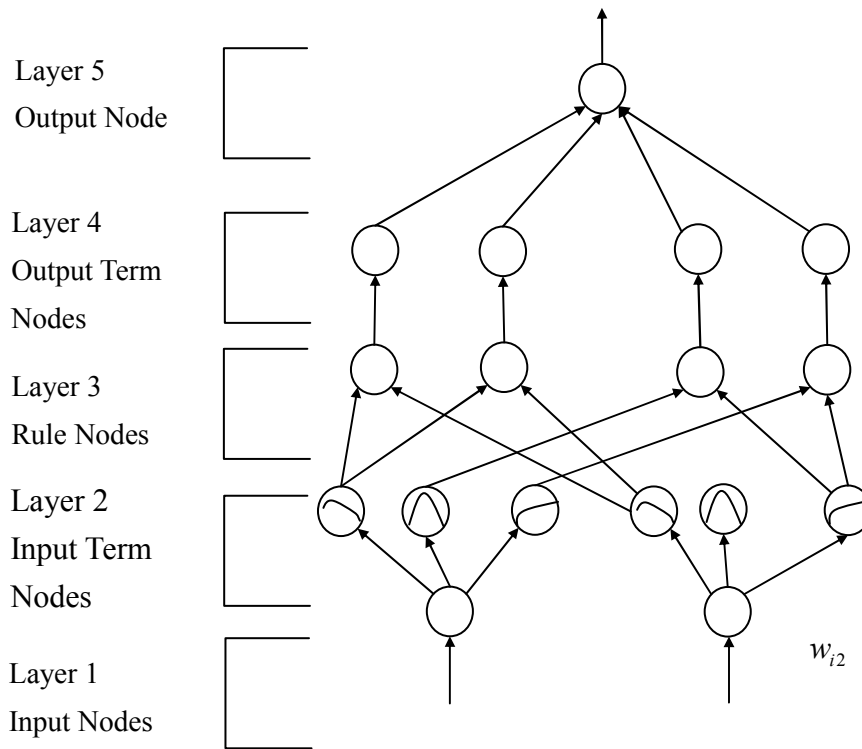


Figure 1 The structure of a self-organized, five-layer neuro-fuzzy model with Sugeno fuzzy rules.

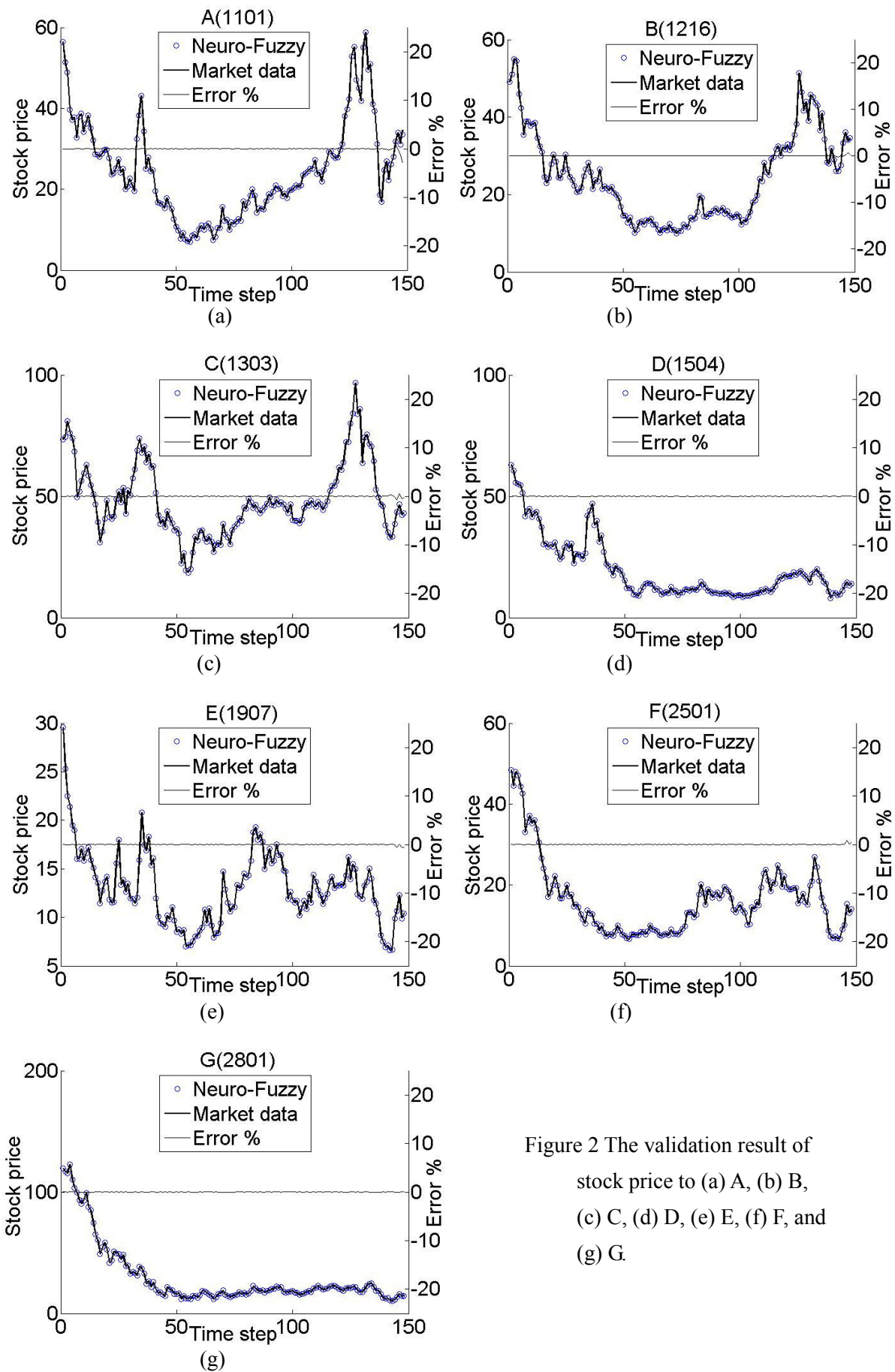


Figure 2 The validation result of stock price to (a) A, (b) B, (c) C, (d) D, (e) E, (f) F, and (g) G.

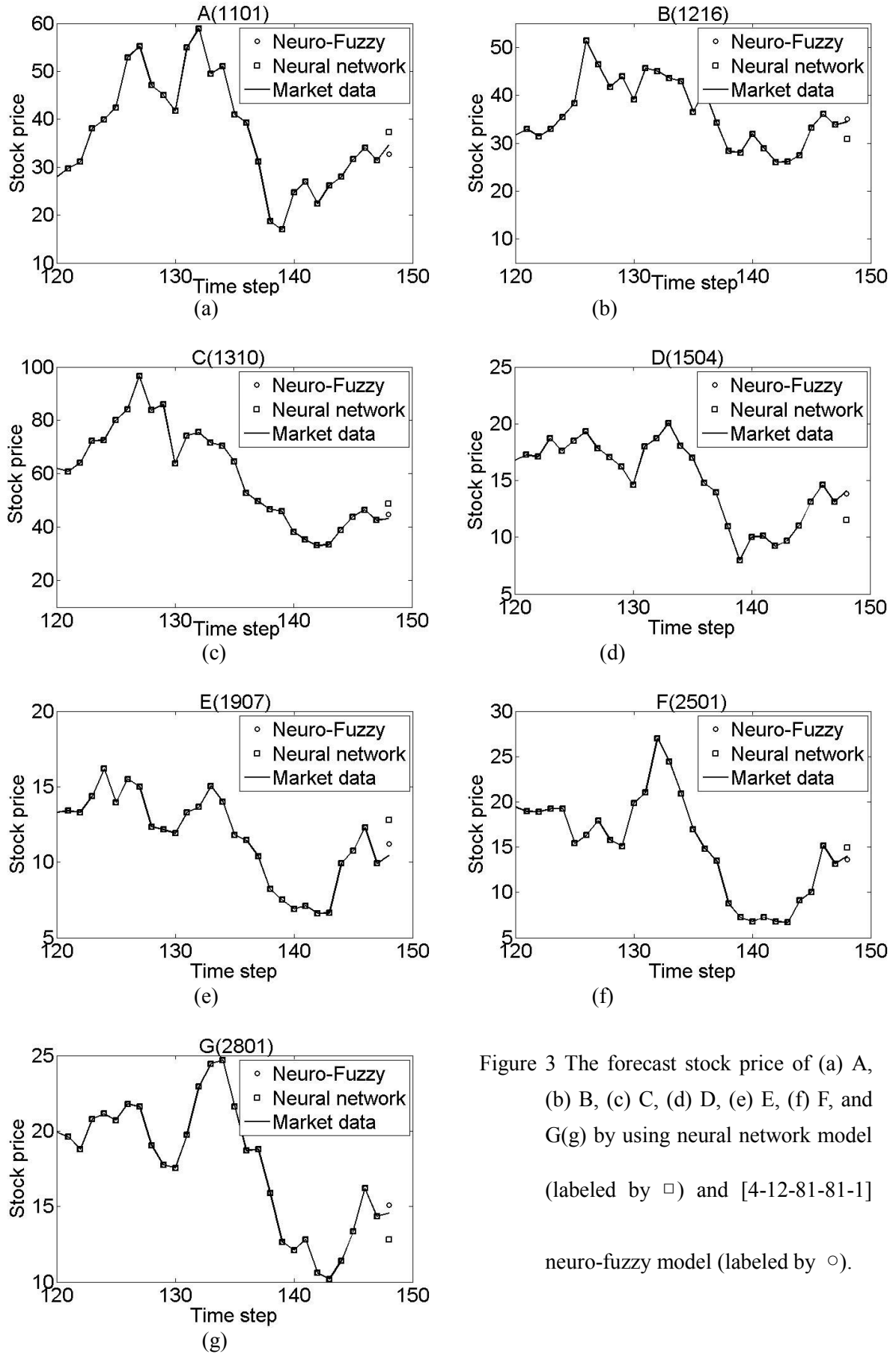


Figure 3 The forecast stock price of (a) A, (b) B, (c) C, (d) D, (e) E, (f) F, and G(g) by using neural network model (labeled by \square) and [4-12-81-81-1] neuro-fuzzy model (labeled by \circ).